

YSL100F-75 SERIES



Input: 220-240V 50/60Hz
Output Voltage: 12V,24V,36V,48V
Rated Power: 75W max

Features

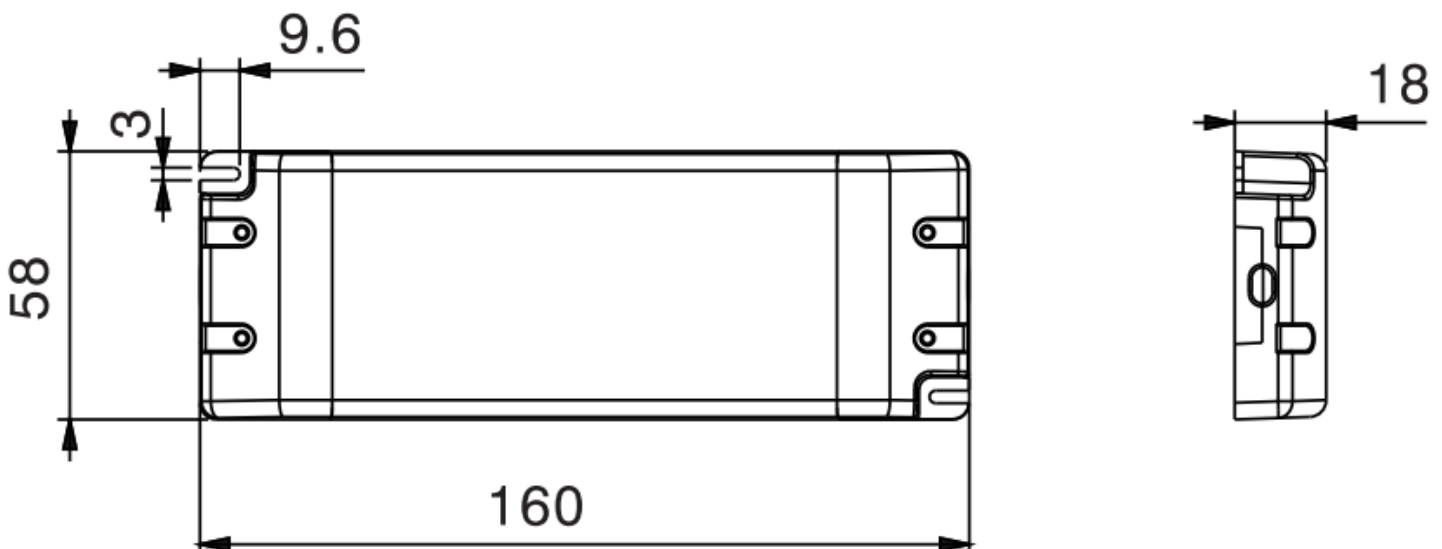
- Independent Ultrathin Power Supply
- flicker-free Design
- Terminal block for Quick Connection
- Protections: Over Voltage, Overload, Short Circuit
- Class II Protection Design
- ERP :EU2019/2020



Application

- LED strips
- LED indoor lighting
- LED decorative lighting
- LED building lighting

■ Dimensions and Installation

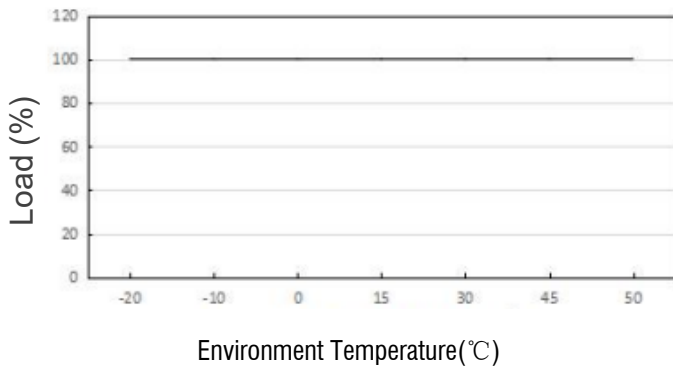


YSL100F-75 SERIES

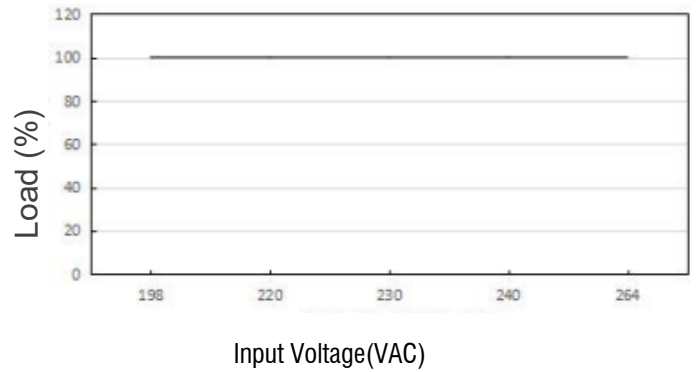
| MODEL DETAIL SPEC. | | YSL100F-1206250 | YSL100F-2403125 | YSL100F-3602080 | YSL100F-4801560 |
|--------------------|------------------------------|--|-----------------|-----------------|-----------------|
| INPUT | Input Voltage: | 220-240VAC | | | |
| | Range of Input Voltage: | 198-264VAC | | | |
| | Input Frequency: | 50/60Hz | | | |
| | Input Current: | 0.5AMAX@Full Load | | | |
| | Inrush Current: | < 65 Amps at 230VAC/50Hz@full load | | | |
| | Leakage Current: | < 0.25mA/240VAC | | | |
| | THD(Full Load): | < 20% | | | |
| | Unload Power Consumption: | < 0.5W | | | |
| | Efficiency: | 92% | | | |
| | Power Factor: | ≥0.9@Full Load 220-240VAC | | | |
| OUTPUT | DC Voltage: | 12V | 24V | 36V | 48V |
| | Rated Current(Max): | 6.25A | 3.125A | 2.08A | 1.56A |
| | Rated Power(Max): | 75W | 75W | 75W | 75W |
| | Voltage Tolerance: | ±5% | | | |
| | Ripple and Noise: | 400mVp-p | 400mVp-p | 400mVp-p | 400mVp-p |
| | Line Regulation: | ±3% | | | |
| | Load Regulation: | ±5% | | | |
| | Setup, Rise, Hold Up Time: | 1s, 10ms/60ms 230VAC @ full load | | | |
| ENVIRONMENTAL | Operating Temperature Ta: | -20°C ~ +45°C | | | |
| | Storage Temp: | -40°C ~ +85°C | | | |
| | Maximum Case Temperature Tc: | +85°C | | | |
| | Humidity: | 20 ~ 95% RH | | | |
| | Lifetime: | >30000hours@ta 40°C | | | |
| PROTECTION | Over Load: | Yes , Protection type: Auto Restore Protection type: Hiccup mode, recovers automatically after fault condition is removed | | | |
| | Over Voltage: | Yes , Protection type: Auto Restore Protection type: Shut down o/p voltage, re-power on to recover | | | |
| | Short Circuit: | Yes , Protection type: Auto Restore | | | |
| SAFETY & EMC | Safety Regulations: | EN61347-2-13:2014+A1:2017,EN61347-1:2015;EN62493:2015 | | | |
| | Withstand Voltage: | I/P-O/P:3750VAC | | | |
| | Harmonic: | EN61000-3-2 Class C EN61000-3-3 | | | |
| | EMI: | Compliance to EN55015 | | | |
| | EMS: | Compliance to EN61547:2009 | | | |
| OTHER | MTBF: | 200,000 Hours Minimum at Full Load at 25°C Ambient | | | |
| | Case Material and Size: | Plastic | | | |
| | IP Grade: | IP20 | | | |
| | Size: | 160*58*18mm | | | |
| | Weight: | 255g / pcs | | | |
| | Packaging: | 50PCS/CTN,35*14.5*35cm | | | |

YSL100F-75 SERIES

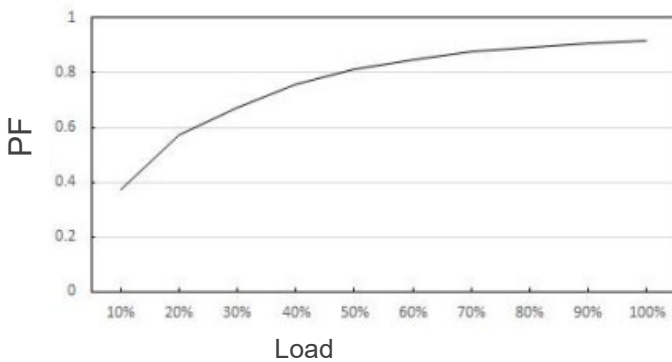
Deduction Curve and Temperature



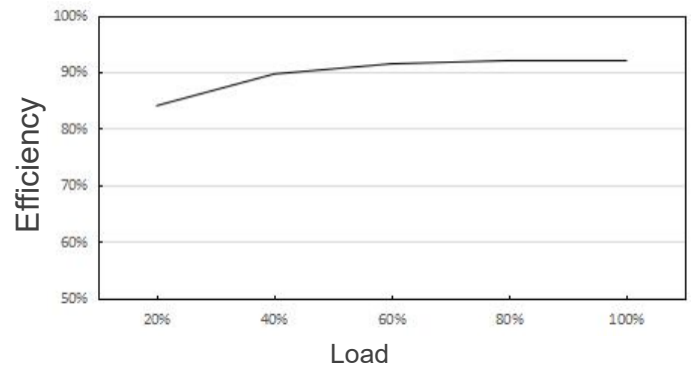
Minus Output and Input Voltage Curves



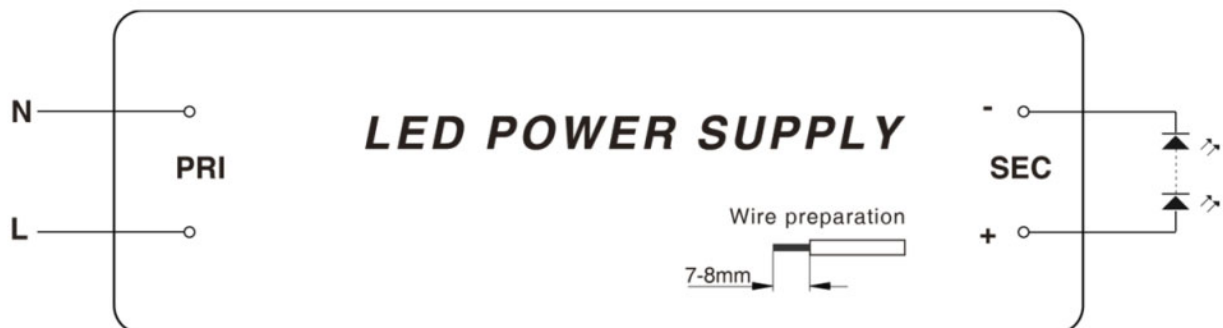
Power Factor (PF) Curves



Efficiency Vs Load



Wiring Diagram



Manufacturer's address:

Cuijia, Xidian Town, Ninghai, Ningbo 315613, China

Tel: +86-574-87563856

<https://www.yingjiaodriver.com>